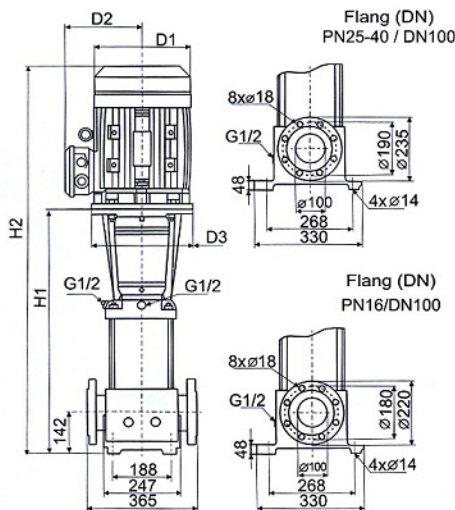


Vertical Multistage Centrifugal in - line Pump

Dimensions and weights - PCR 64



General Specification

Output size:	25 to 125 mm
Capacity:	0.7-180 m ³ /hr
Head:	275 m
Operation Temperature:	-15 to +120
Main Connection (1-[v/Hz]):	220-240 V, 50 Hz
Main Connection (3-[v/Hz]):	380-415 V, 50 Hz
Insulation Class:	F
Enclosure Class:	IP 55
Ambient Temperature:	50°C

Pump type	Motor		Pump Flanges (mm)	PCR					Net weight (kg) DIN flange
	P [kW]	rpm		Dimension(mm)			D3		
				DIN flange		D1		D2	
PCR 64-1-1	4	2900	100	H1	H2	D1	D2	D3	88.9
PCR 64-1	5.5			563	613	220	161	280	108.3
PCR 64-2-2	7.5			646	702	235	197	300	118.7
PCR 64-2-1	11			756	1261	318	245	350	159.3
PCR 64-2	11			756	1261	318	245	350	159.3
PCR 64-3-2	15			838	1348	318	245	350	174.0
PCR 64-3-1	15			838	1348	318	245	350	174.0
PCR 64-3	18.5			838	1388	318	245	350	198.9
PCR 64-4-2	18.5			921	1471	318	245	350	202.9
PCR 64-4-1	22			921	1501	358	265	350	245.7
PCR 64-4	22			921	1501	358	265	350	245.7
PCR 64-5-2	30			1003	1663	420	295	400	314.3
PCR 64-5-1	30			1003	1663	420	295	400	314.3
PCR 64-5	30			1003	1663	420	295	400	314.3
PCR 64-6-2	30			1086	1746	420	295	400	318.2
PCR 64-6-1	37			1086	1746	420	295	400	331.2
PCR 64-6	37			1086	1746	420	295	400	331.2
PCR 64-7-2	37			1168	1828	420	295	400	335.3
PCR 64-7-1	37			1168	1828	420	295	400	335.3
PCR 64-7	45			1172	1862	470	325	450	393.4
PCR 64-8-2	45			1255	1945	470	325	450	397.5
PCR 64-8-1	45			1255	1945	470	325	450	397.5